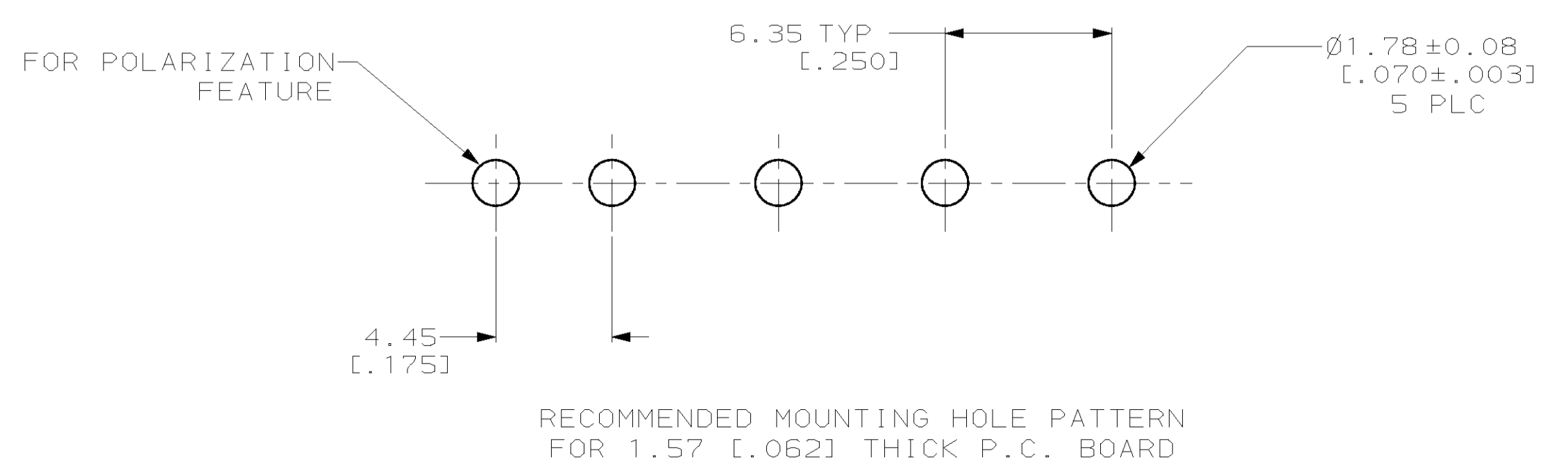
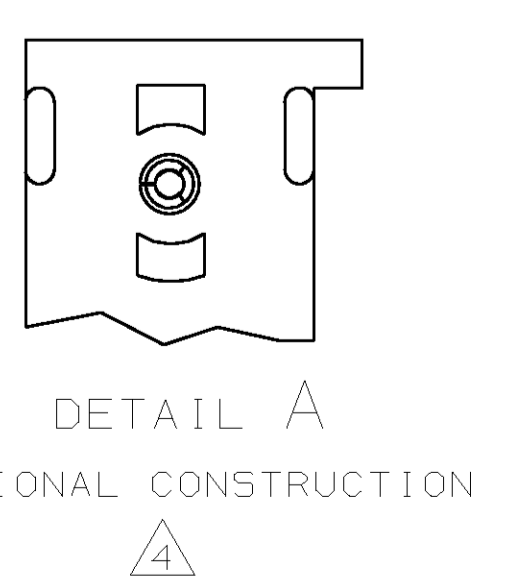
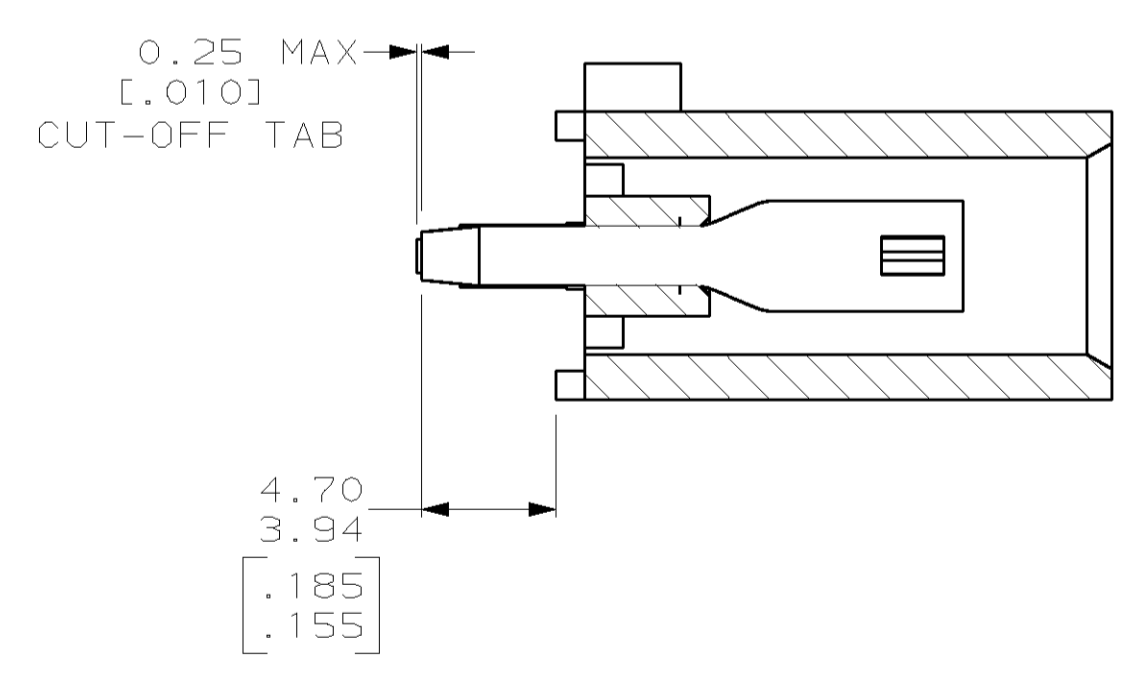
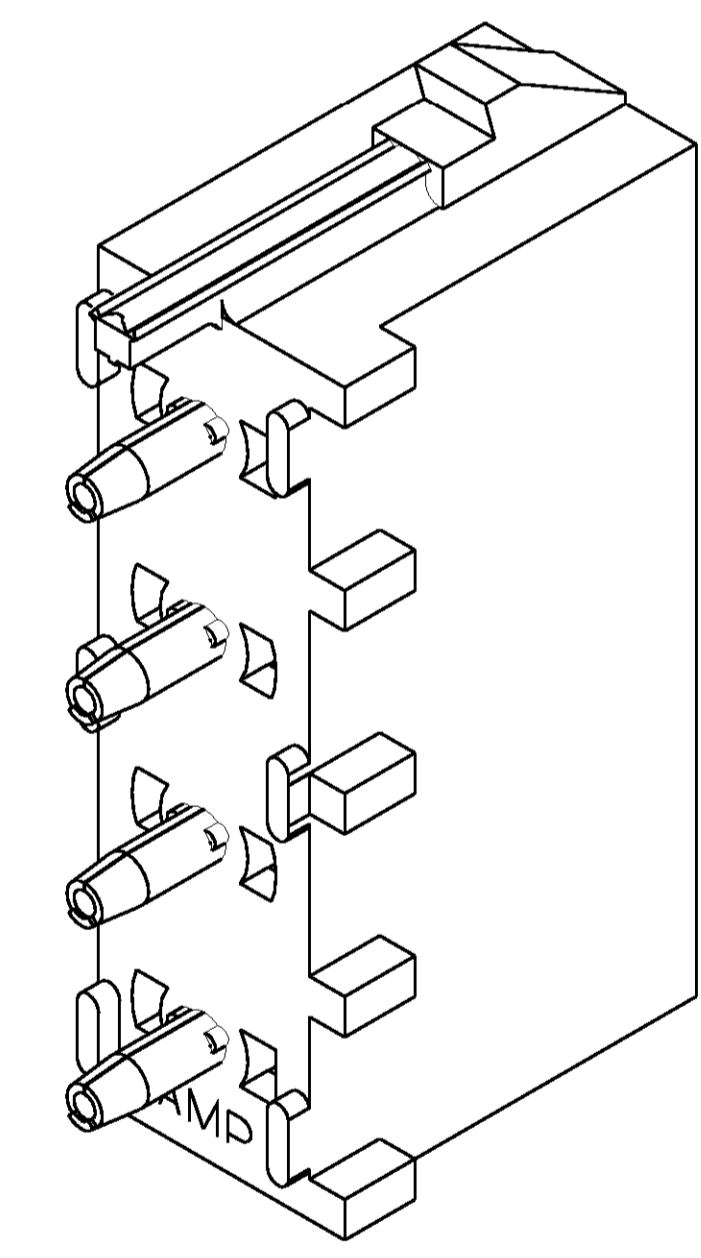
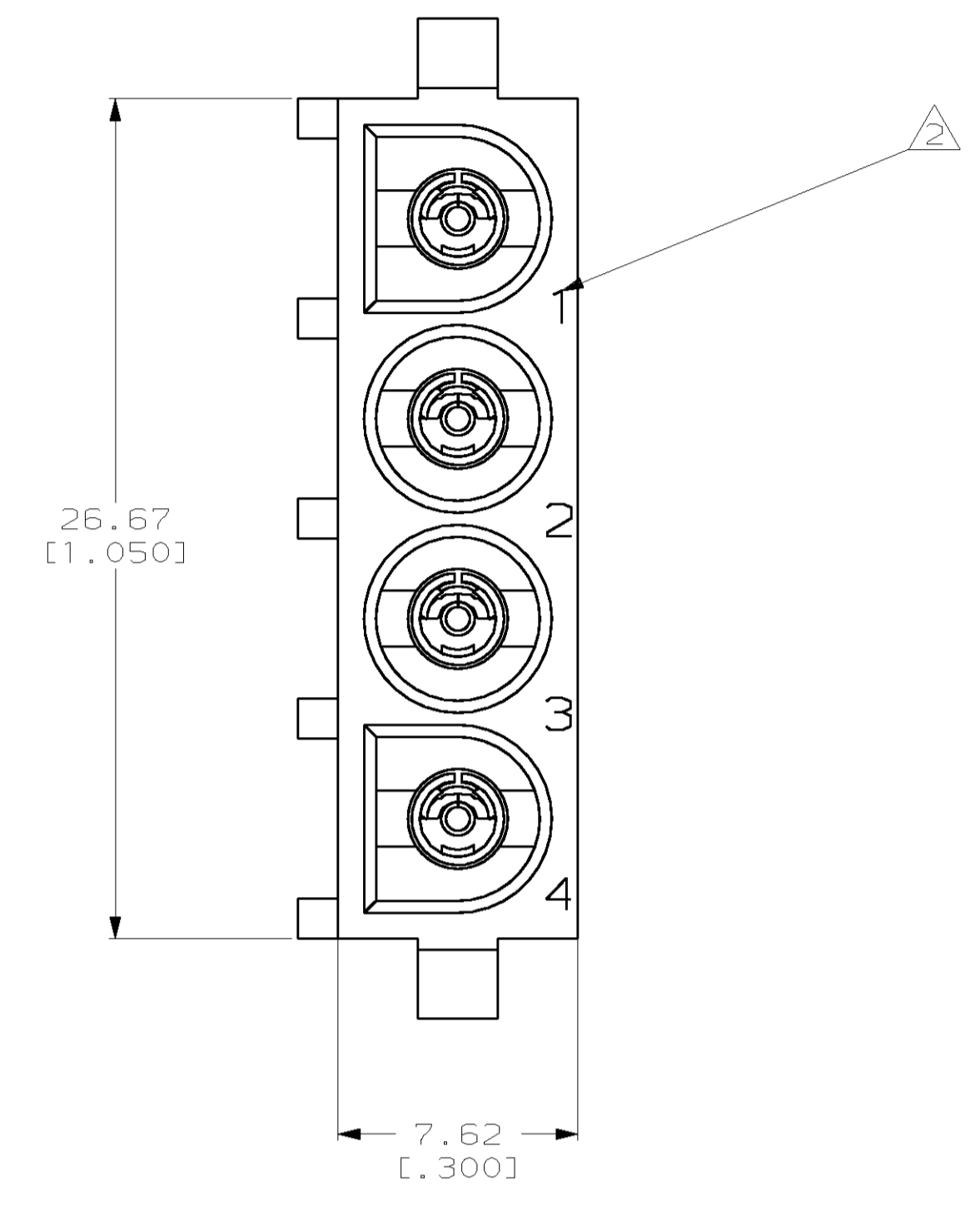
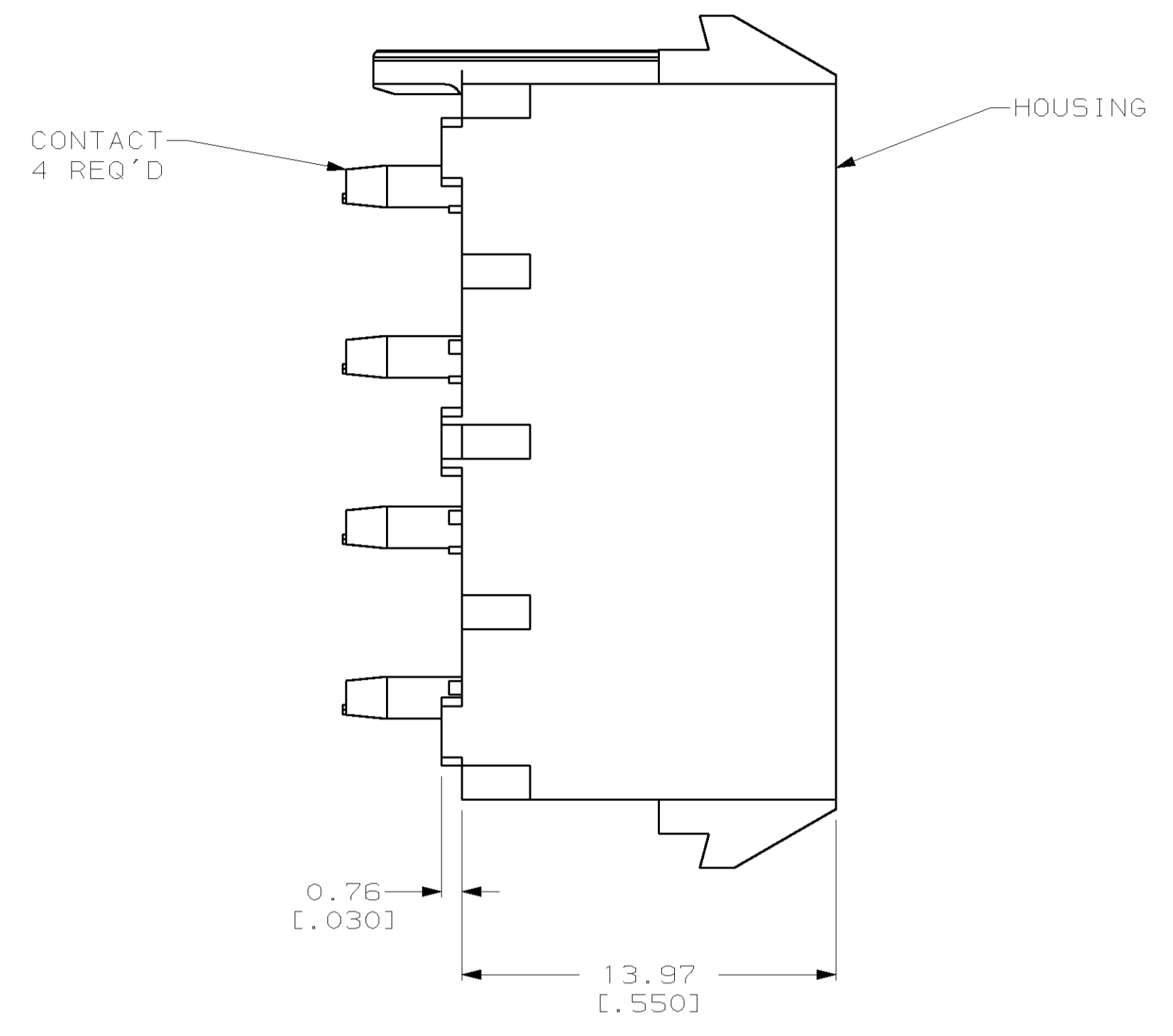
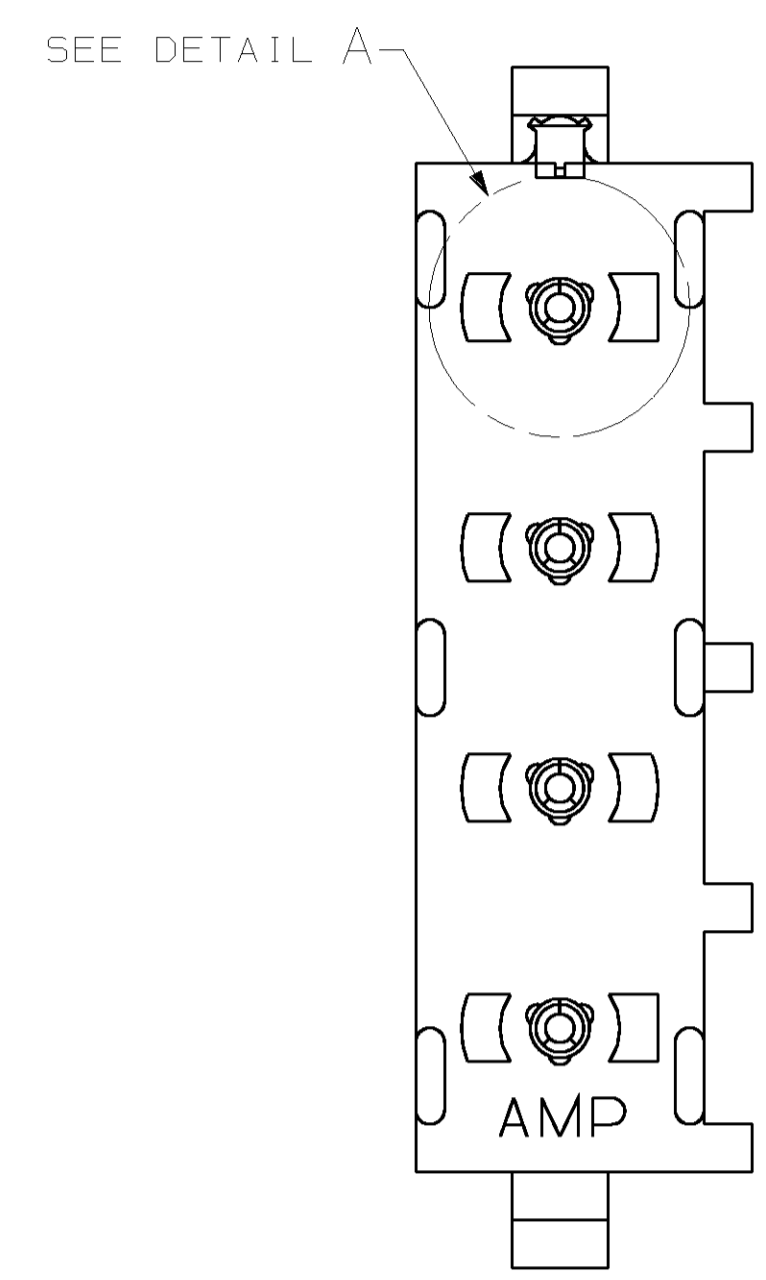


LOC	DIST	REVISIONS			
F	CHR	DESCRIPTION	DATE	OWN	APVD
G		REVISED PER EC 063B-0300-00	23-JUN-00	KW	KC

1. PARTS COMPLY TO AMP SOLDERABILITY SPECIFICATION 109-11-3.
2. CIRCUIT IDENTIFICATION CHARACTERS ARE ADJACENT TO THE INDICATED CAVITIES, BUT LOCATION AND ORIENTATION MAY DIFFER FROM PRINT.
3. DIMENSIONS IN BRACKETS ARE IN INCHES.
4. DRAIN HOLES LOCATED AS SHOWN. OPTIONAL CONSTRUCTION- ALL DRAIN HOLES LOCATED 90° AS SHOWN IN DETAIL A.



PHOSPHOR BRONZE, PRE-TIN PIN CONTACT MATERIAL AND FINISH	NYLON, UL94V-2, NATURAL HOUSING MATERIAL	643415-1 PART NO
THIS DRAWING IS A CONTROLLED DOCUMENT.		DWN L. McEACHIN 07-JAN-2000
DIMENSIONS: mm (INCHES)		CHK K. COBLE 07-JUN-2000
TOLERANCES UNLESS OTHERWISE SPECIFIED:		APVD K. COBLE 07-JUN-2000
0 PLC ±	1 PLC ±	NAME SOCKET HEADER ASSEMBLY, POLARIZED, 4 CIRCUIT UNIVERSAL MATE-N-LOK™
2 PLC ±0.13 [.005]	3 PLC ±	PRODUCT SPEC
4 PLC ±	5 PLC ±	APPLICATION SPEC
ANGLES 90°/30°	FINISH SEE TABLE	SIZE A1
MATERIAL SEE TABLE	WEIGHT -	CAGE CODE 00779
CUSTOMER DRAWING		DRAWING NO 643415
SCALE 5:1		SHEET 1 OF 1
		REV G

